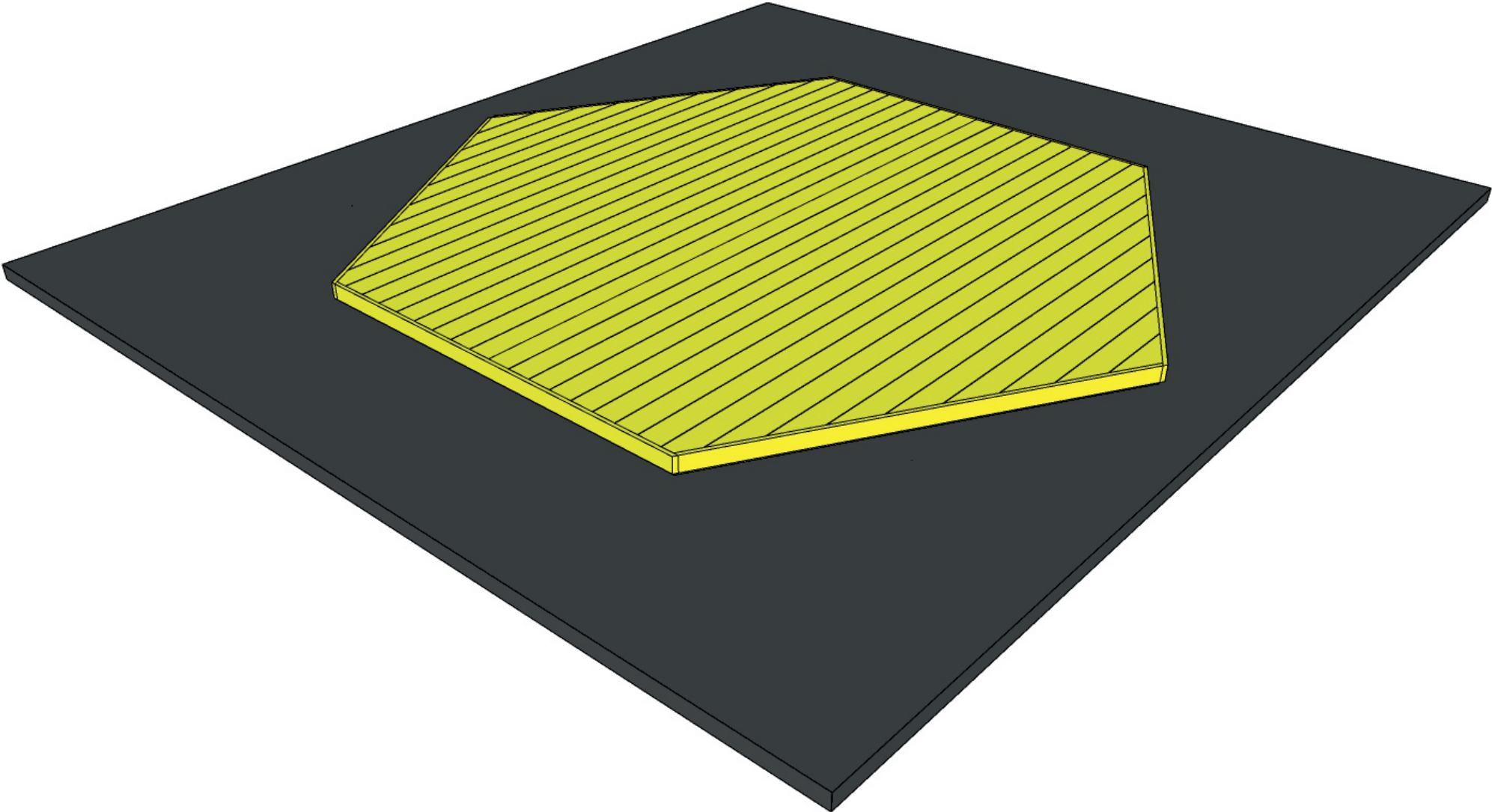
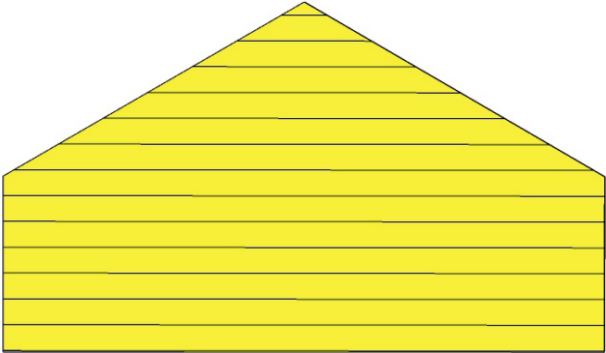
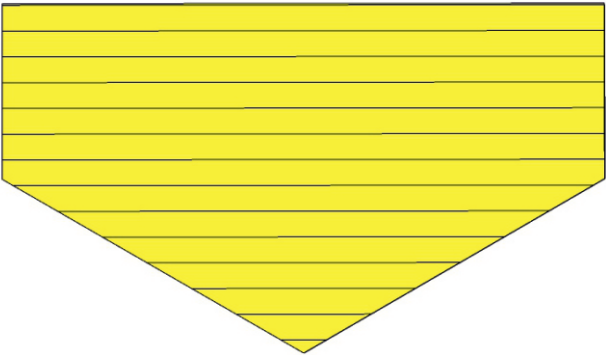
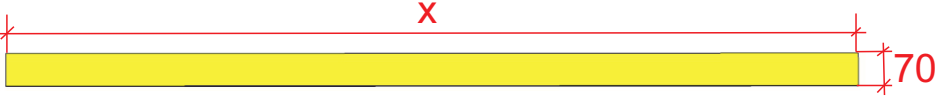


# Floor instruction

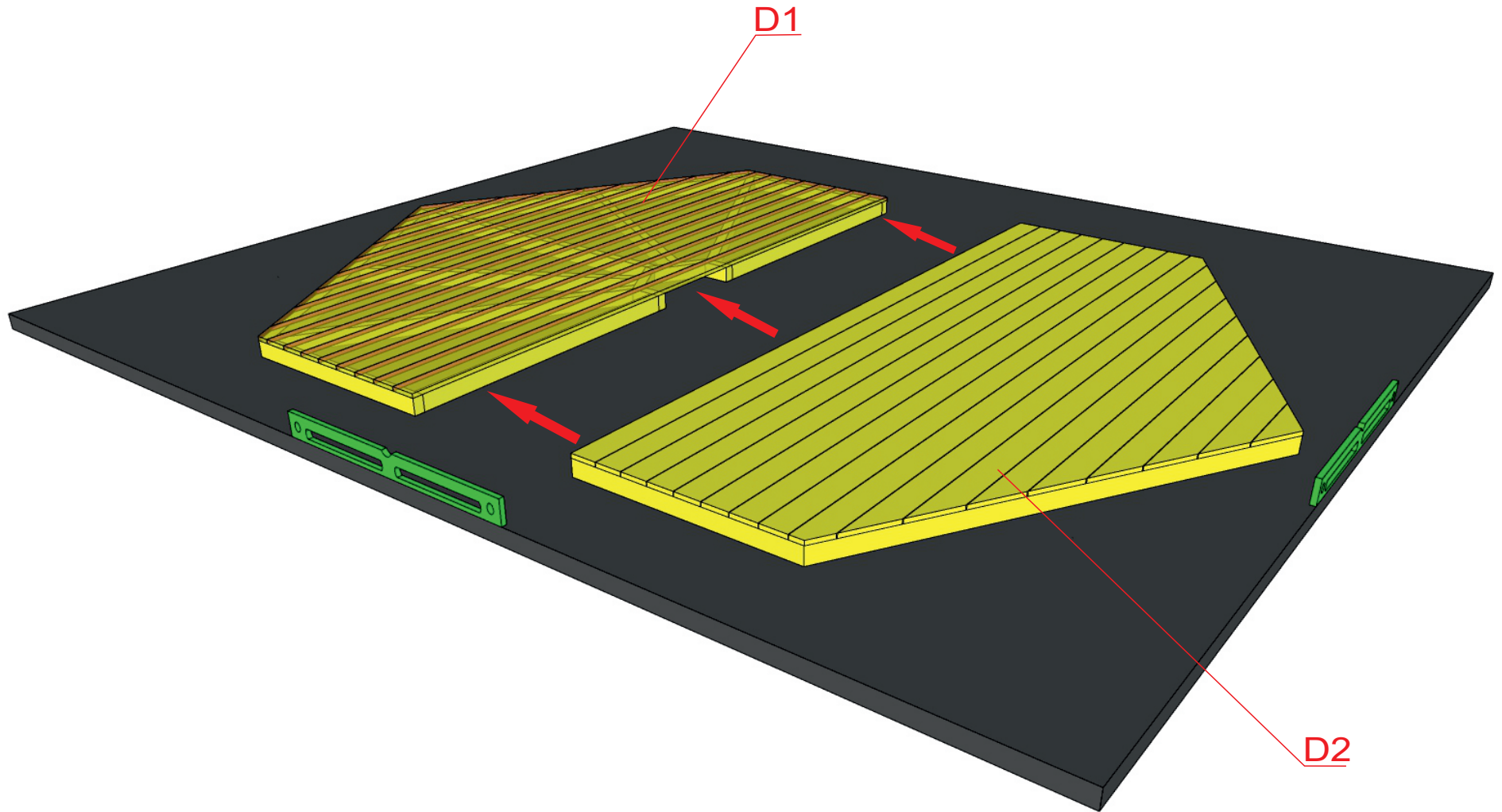


# Floor instruction

Nr.	Detail name	Pcs.	Detail
1	D1	1	
2	D2	1	
3	D3	6	

# Floor instruction

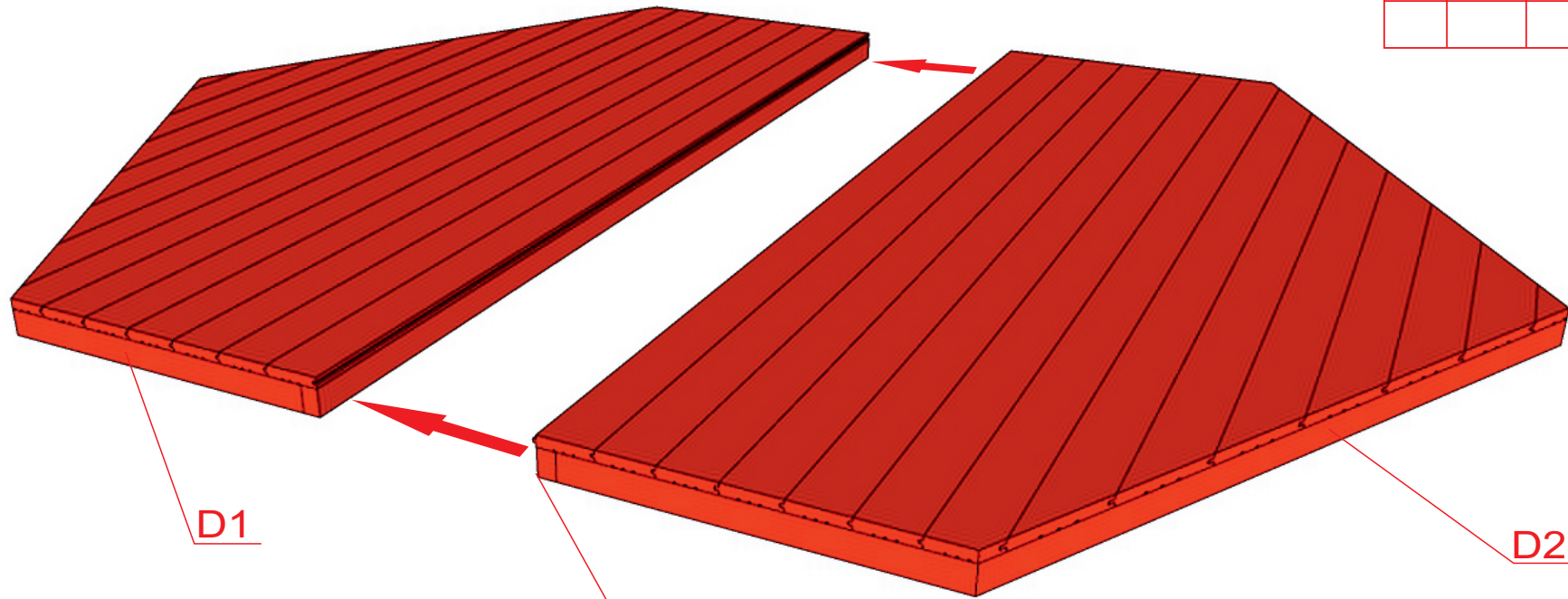
## Screws

# Floor instruction

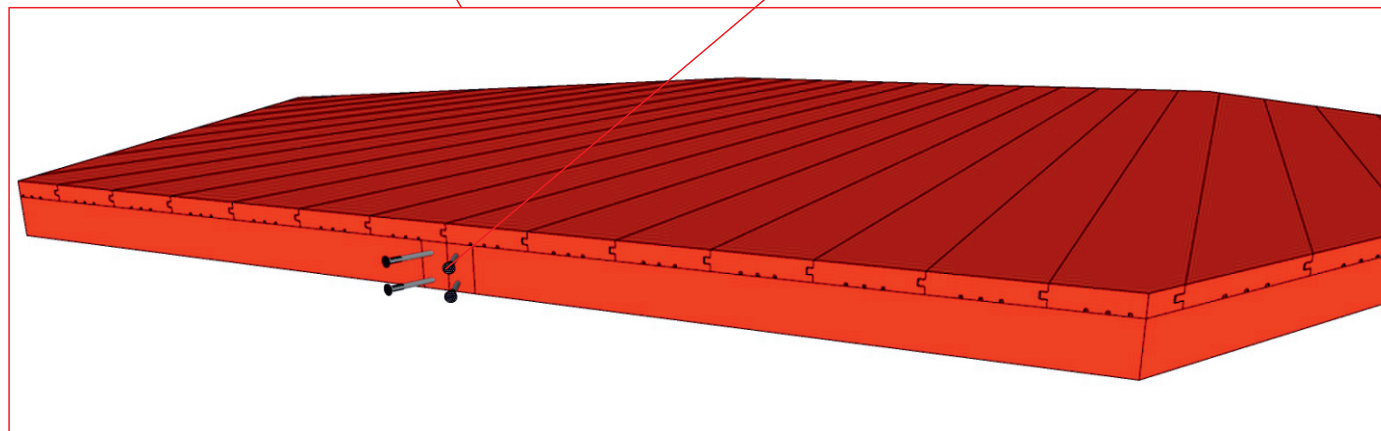
## Screws

1	S1	4x70	8pcs



D1

D2

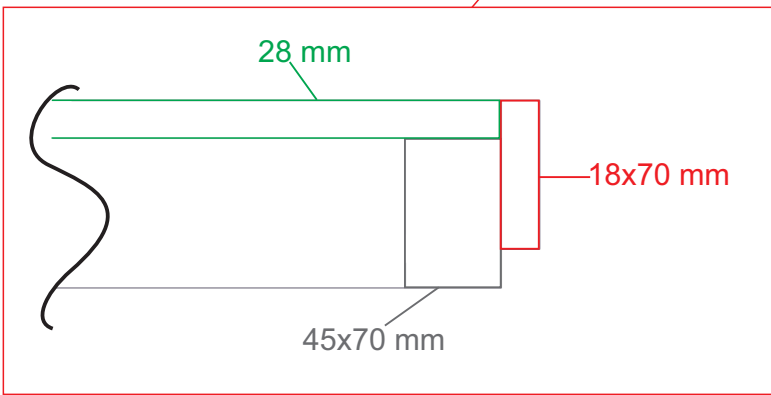
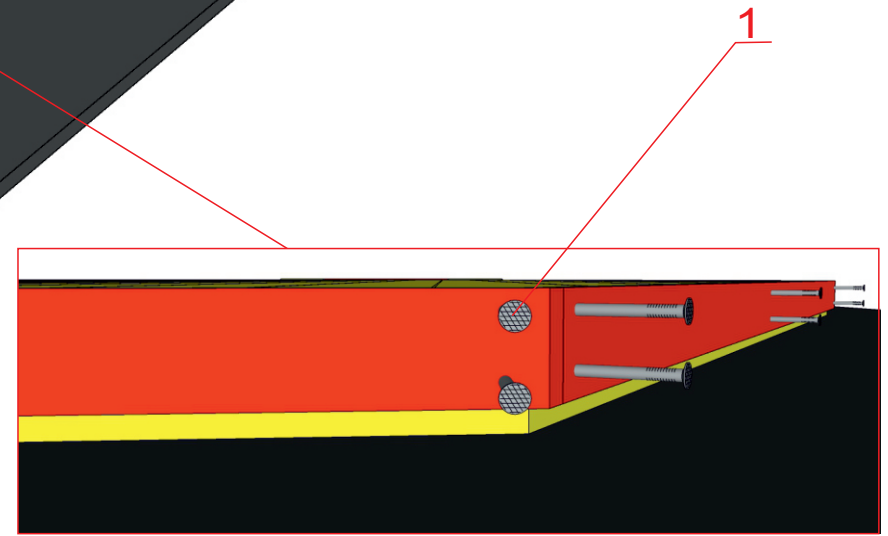
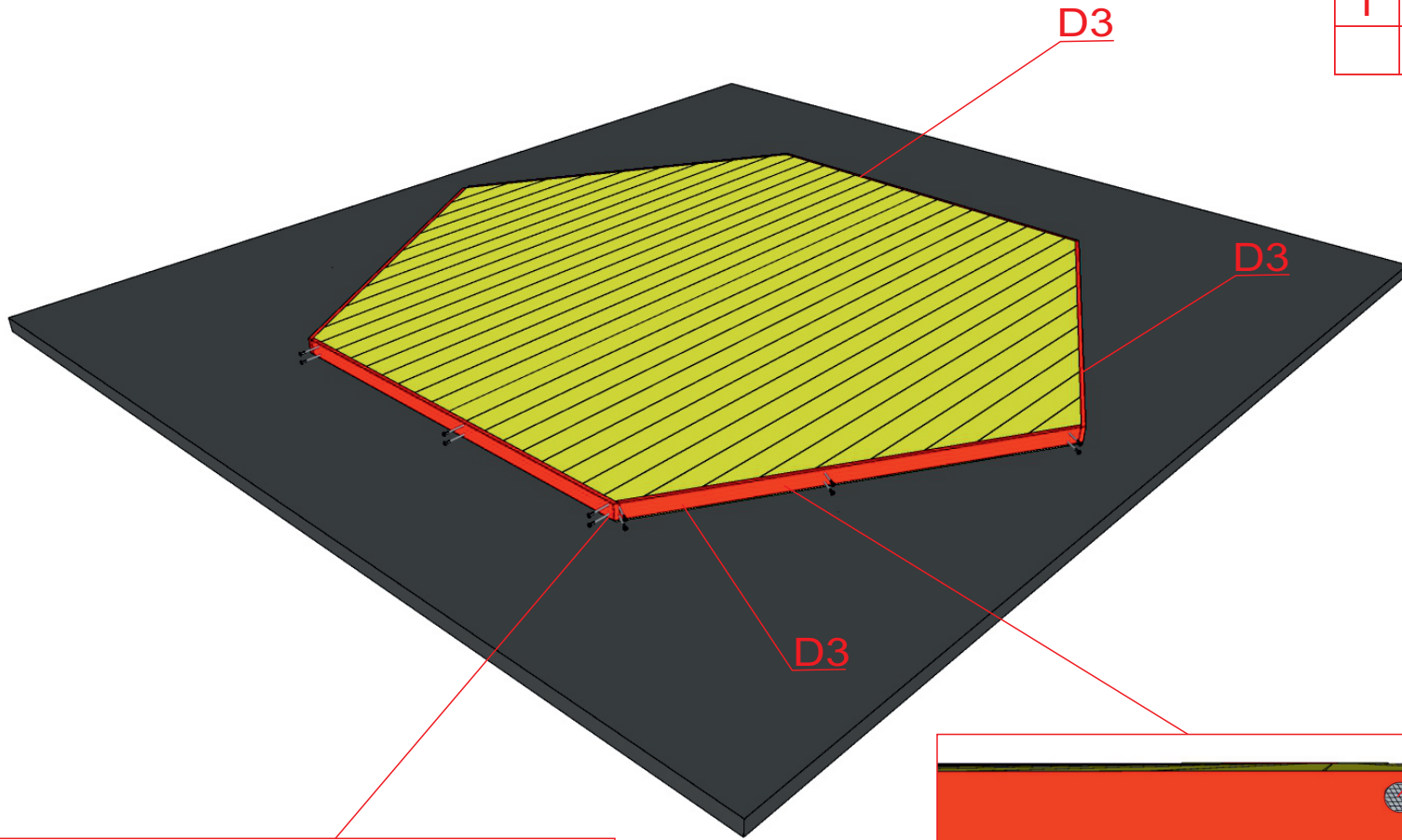


1

# Floor instruction

## Screws

1	S1	4x40	36pcs



# Floor instruction

## Screws